



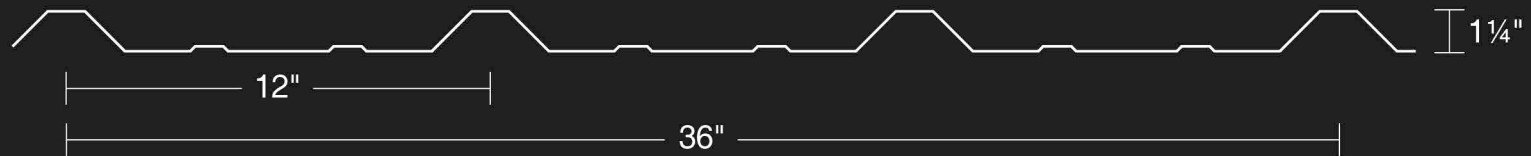
**ALLSTEEL** INC.  
**METAL ROOFING**



**METAL CATALOG**



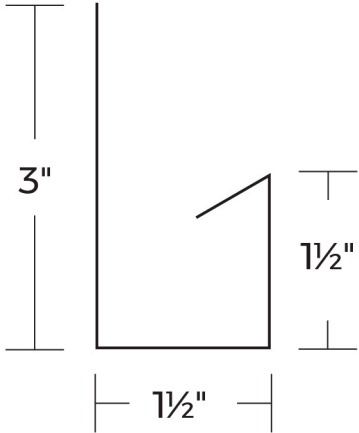
# PBR-PANEL



PANEL PROFILE

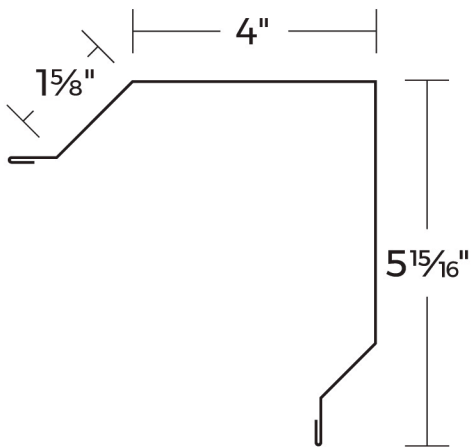
## JAMB TRIM

SIZE | 10' 2"



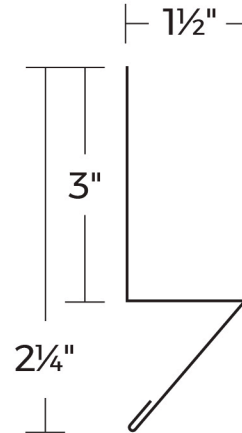
## RAKE & CORNER

SIZE | AVAILABLE IN SIZES FROM 10' 2" - 20' 6"



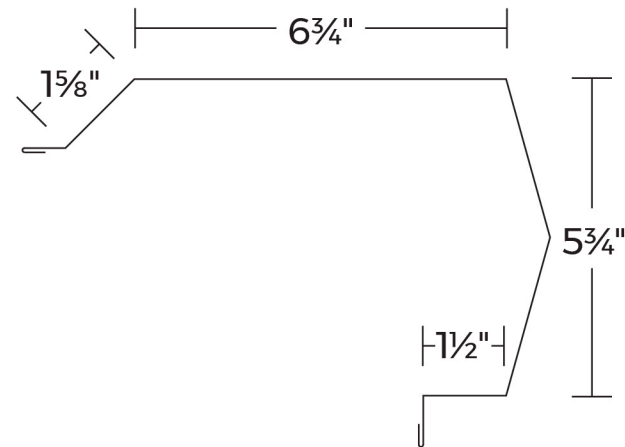
## RAT GUARD

SIZE | 10' 2"



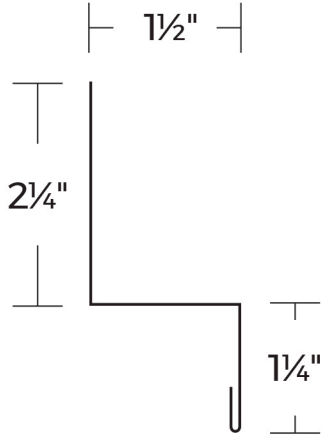
## SCULPTED RAKE

SIZE | AVAILABLE IN SIZES FROM 10' 2" - 20' 6"



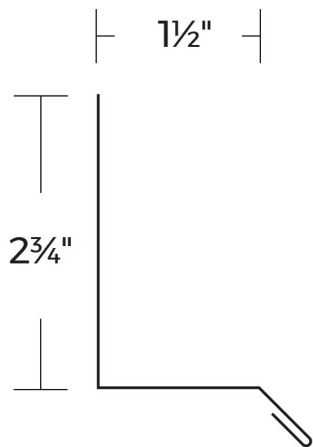
## BASE TRIM

SIZE | 10' 2"



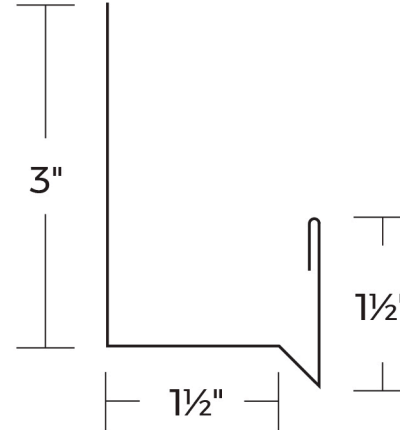
## DRIP FLASHING

SIZE | 10' 2"



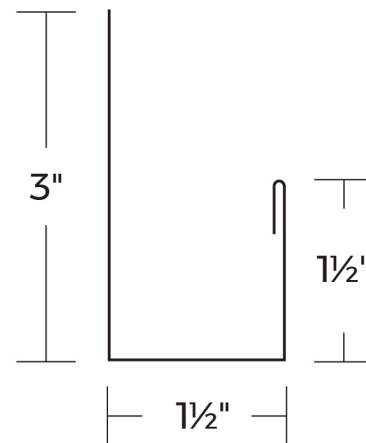
## HEAD TRIM

SIZE | 10' 2"



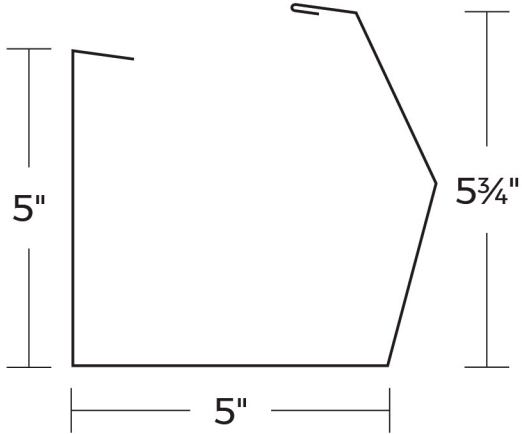
## J CHANNEL

SIZE | 10' 2"



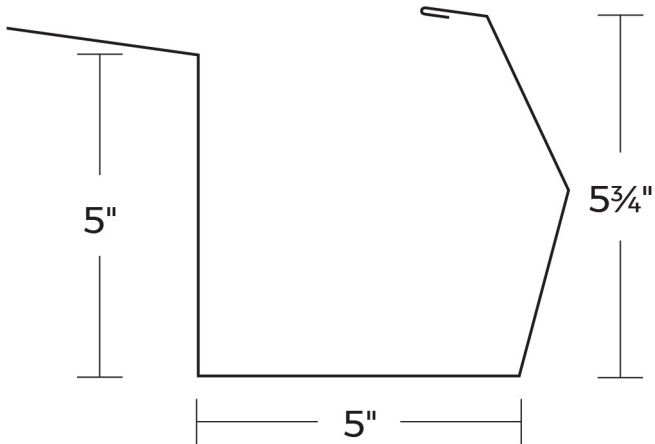
## GUTTER TYPE 1 \*

SIZE | AVAILABLE IN SIZES FROM 10' 2" - 20' 6"



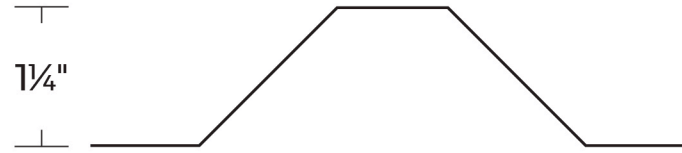
## GUTTER TYPE 2 \*

SIZE | AVAILABLE IN SIZES FROM 10' 2" - 20' 6"



## GUTTER CLIPS

SIZE | 10' 2"



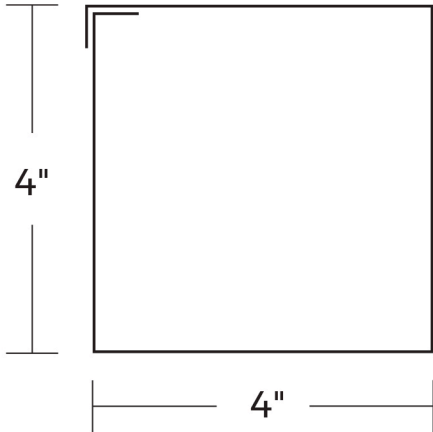
## GUTTER STRAPS

SIZE | 10' 2"



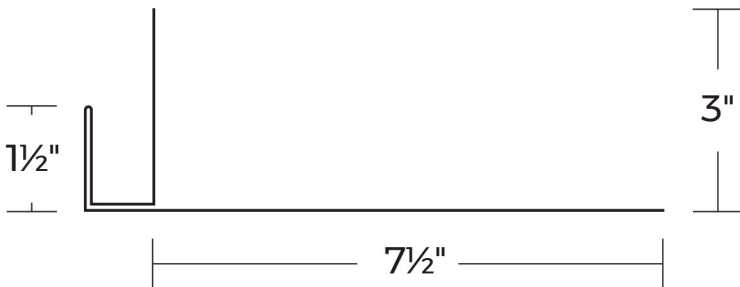
## DOWNSPOUT

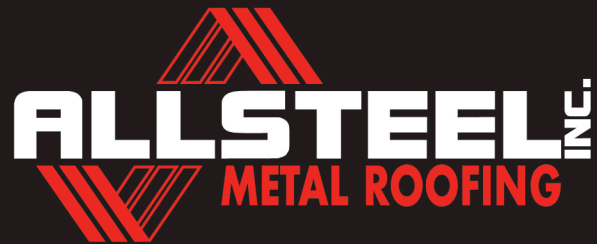
SIZE | AVAILABLE IN SIZES FROM 10' 2" - 20' 6"



## OVERHEAD DOOR COVER

SIZE | AVAILABLE IN SIZES FROM 10' 2" - 20' 6"





## GEPP

---

20115 Highway 62 West | Gepp, AR 72538

FAX | 870.458.2901

PHONE | 870.458.2900

## HARRISON

---

5789 E. Resource Drive | Harrison, AR 72601

FAX | 870.429.6771

PHONE | 870.429.0000

## WEST PLAINS

---

3397 N US Hwy 63 | West Plains, MO 65775

FAX | 417.555.5555

PHONE | 417.204.5900