



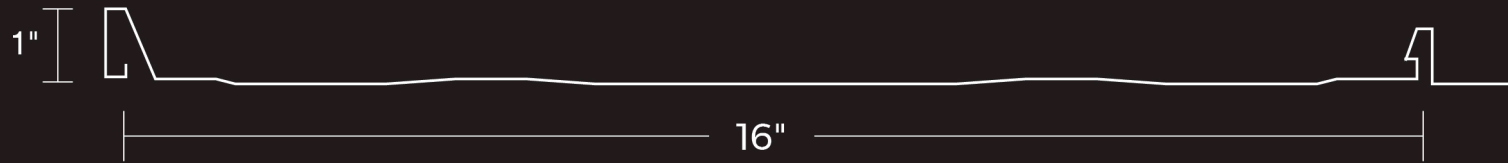
ALLSTEEL INC.
METAL ROOFING



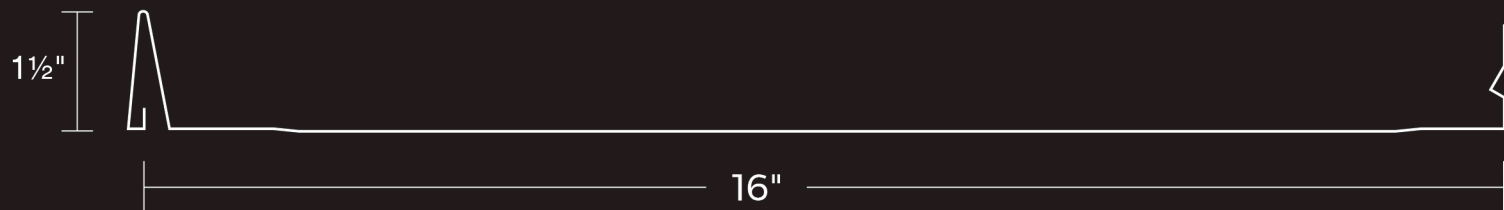
METAL CATALOG

STANDING SEAM

STANDING SEAM - SNAP LOCK



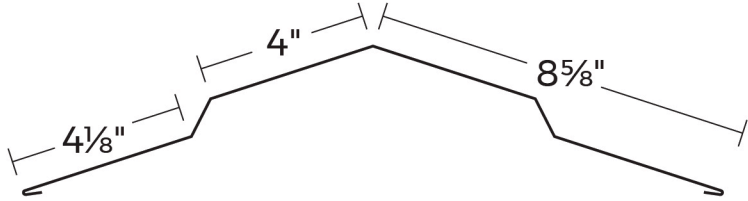
STANDING SEAM - CLIP



STANDING SEAM

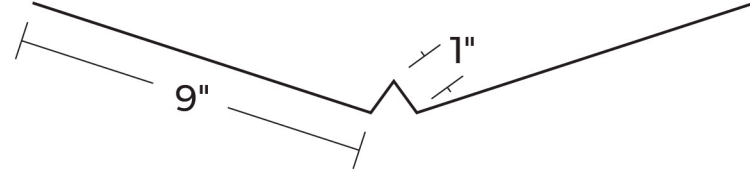
RIDGE CAP

SIZE | 10' 6"



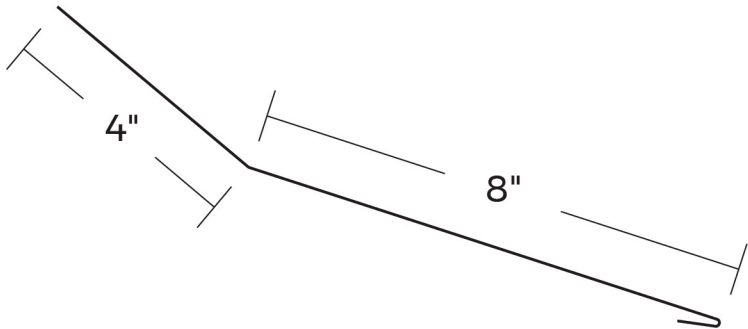
VALLEY

SIZE | 10' 2"



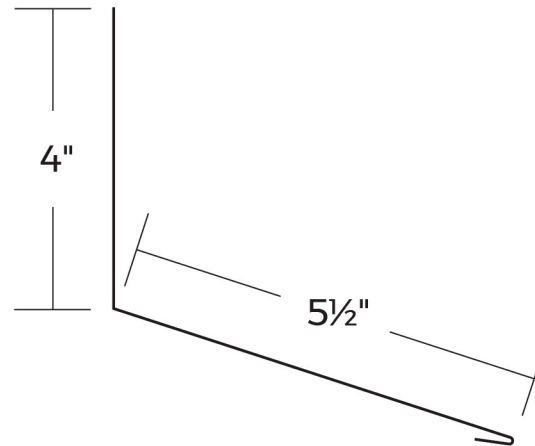
TRANSITION

SIZE | 10' 2"



ENDWALL

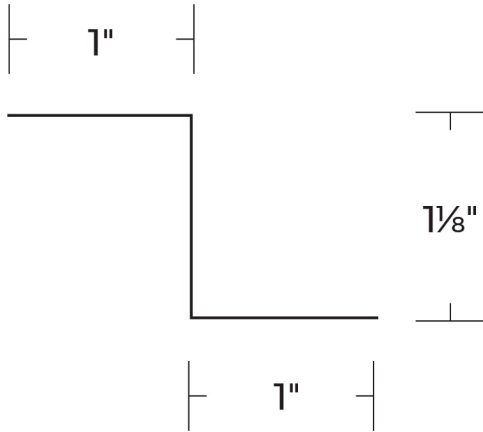
SIZE | 10' 2"



STANDING SEAM

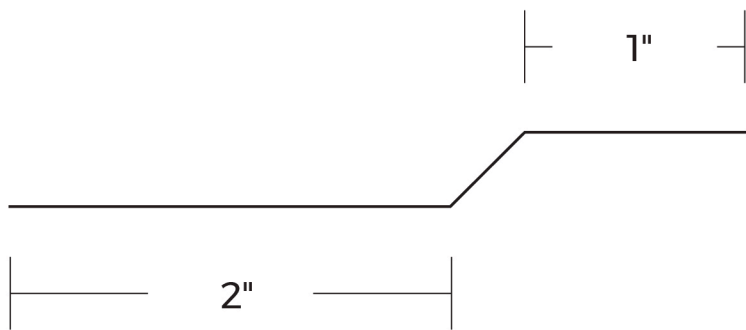
Z CLOSURE

SIZE | 10' 2"



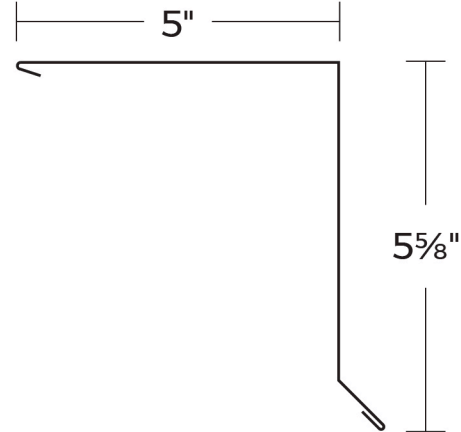
OFFSET

SIZE | 10' 2"



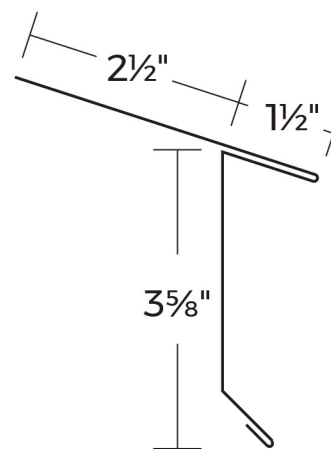
RAKE & CORNER

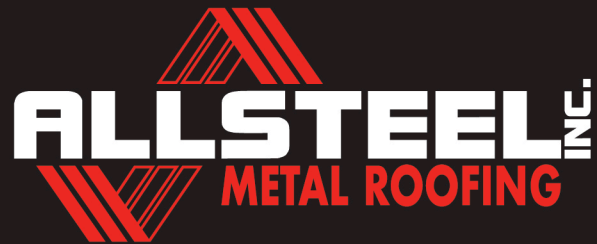
SIZE | AVAILABLE IN SIZES FROM 10' 2" - 20' 6"



DRIP EDGE

SIZE | 10' 2"





GEPP

20115 Highway 62 West | Gepp, AR 72538

FAX | 870.458.2901

PHONE | 870.458.2900

HARRISON

5789 E. Resource Drive | Harrison, AR 72601

FAX | 870.429.6771

PHONE | 870.429.0000

WEST PLAINS

3397 N US Hwy 63 | West Plains, MO 65775

FAX | 417.555.5555

PHONE | 417.204.5900