



ALLSTEEL INC.
METAL ROOFING



METAL CATALOG

TUFF RIB

TUFF RIB



APEX

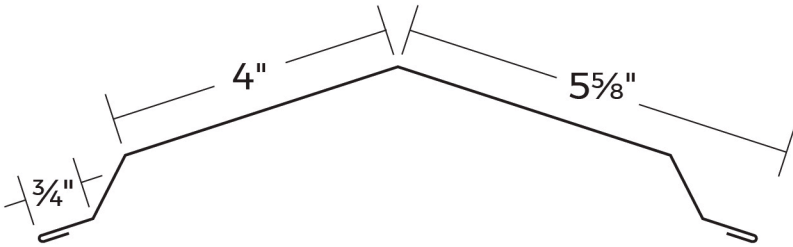


PANEL PROFILE

* Please specify the roof pitches for these pieces

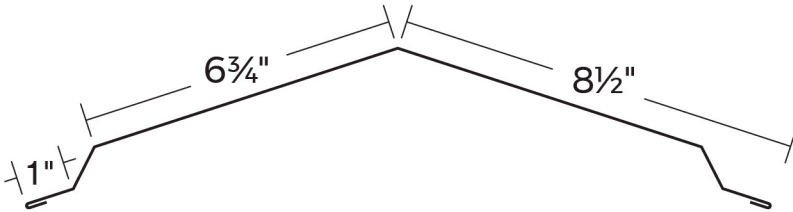
SERIES 1 RIDGE CAP * (STANDARD)

SIZE | 10' 6"



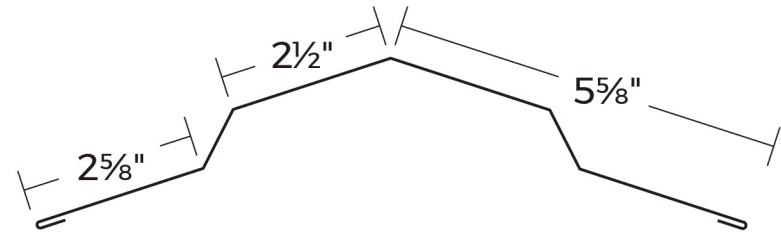
SERIES 2 RIDGE CAP *

SIZE | 10' 6"



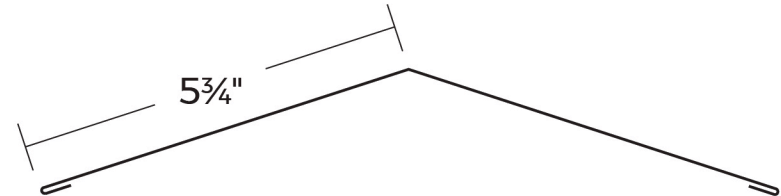
SERIES 3 RIDGE CAP *

SIZE | 10' 6"



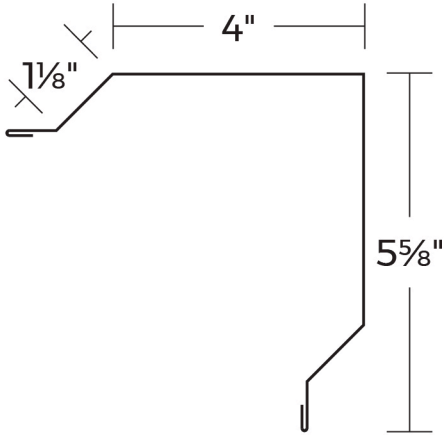
HIP RIDGE *

SIZE | 10' 6"



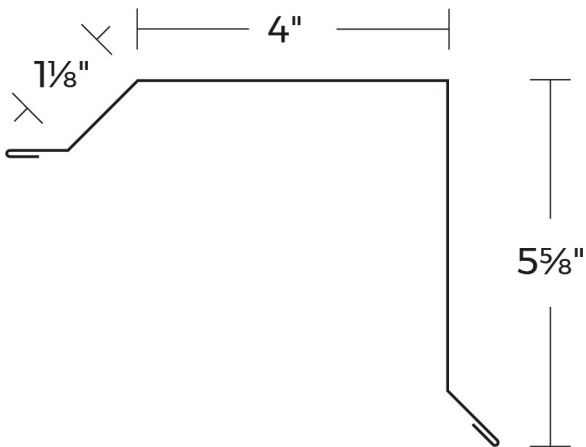
RAKE & CORNER

SIZE | AVAILABLE IN SIZES FROM 10' 2" - 20' 6"



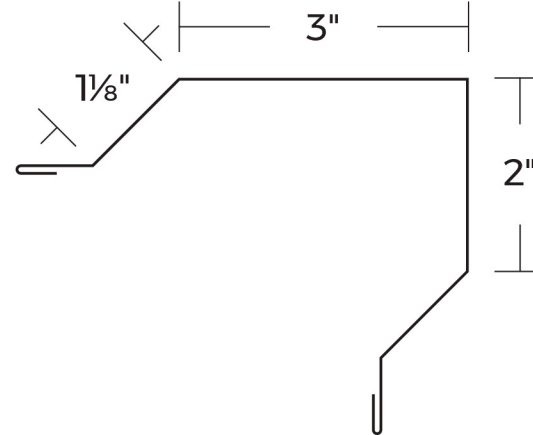
RESIDENTIAL RAKE

SIZE | AVAILABLE IN SIZES FROM 10' 2" - 20' 6"



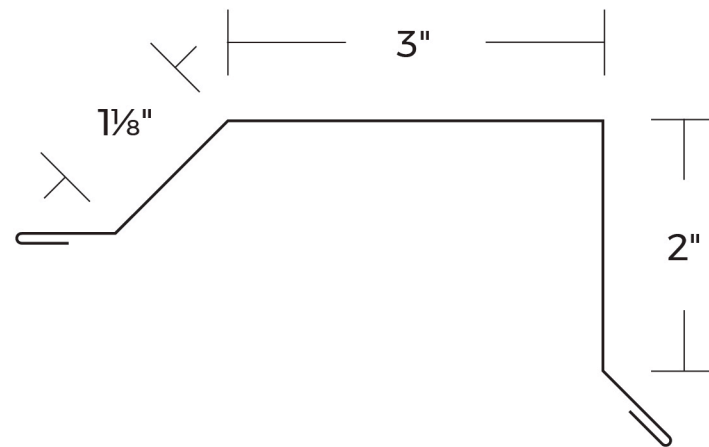
SMALL RAKE & CORNER

SIZE | AVAILABLE IN SIZES FROM 10' 2" - 20' 6"



SMALL RESIDENTIAL RAKE

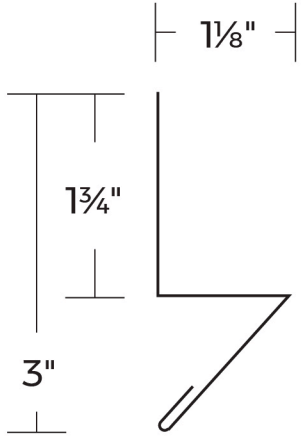
SIZE | AVAILABLE IN SIZES FROM 10' 2" - 20' 6"



* Please specify the roof pitches for these pieces

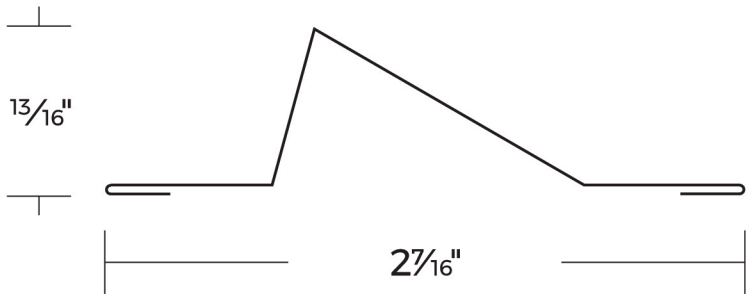
RAT GUARD

SIZE | 10' 2"



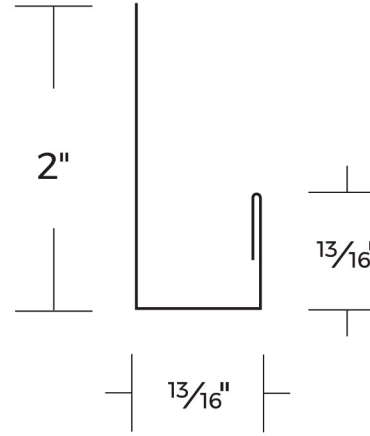
SNOWGUARD

SIZE | 10' 2"



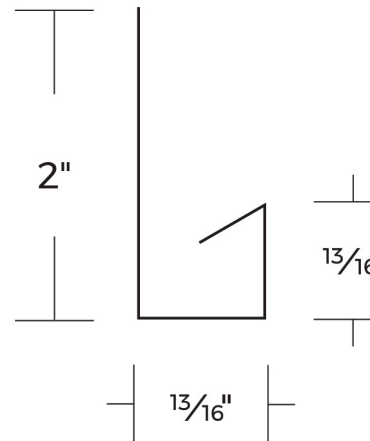
J-CHANNEL

SIZE | 10' 2"



JAMB TRIM

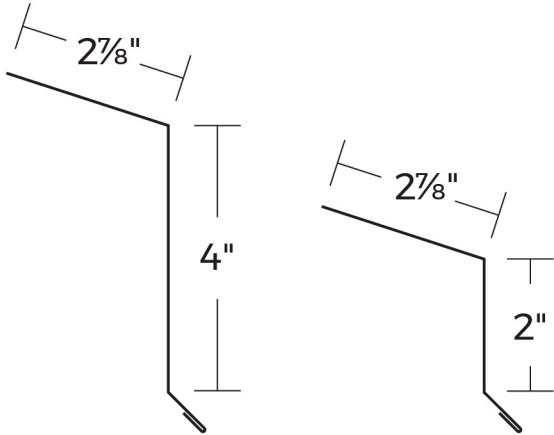
SIZE | 10' 2"



* Please specify the roof pitches for these pieces

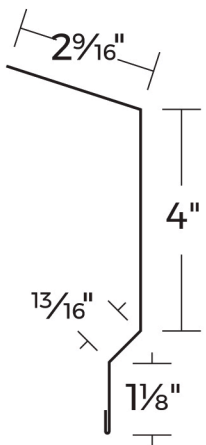
DRIP EDGE (2" or 4") *

SIZE | 10' 2"



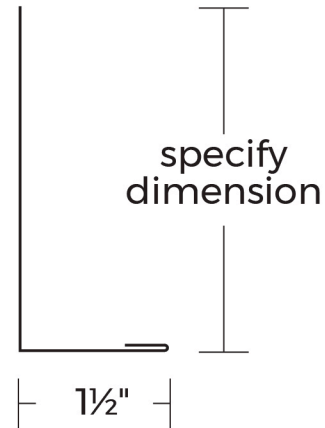
EAVE TRIM *

SIZE | 10' 2"



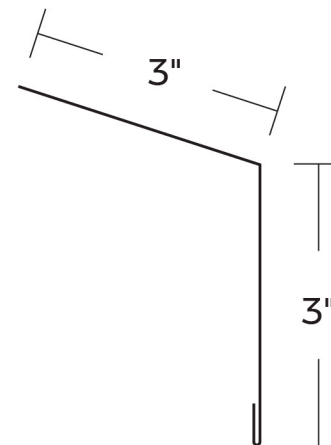
FASCIA TRIM *

SIZE | 10' 2"



3" x 3" ANGLE WITH 1 HEM *

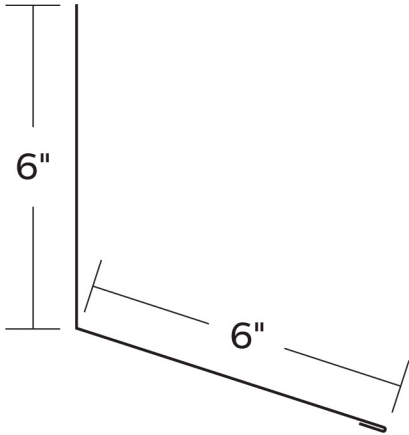
SIZE | 10' 2"



* Please specify the roof pitches for these pieces

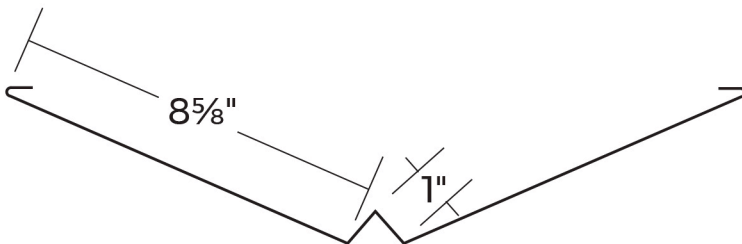
ENDWALL/TRANSITION *

SIZE | 10' 2"



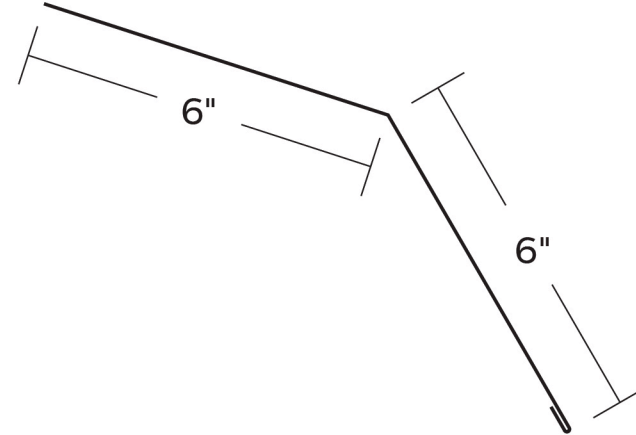
VALLEY *

SIZE | 10' 2"



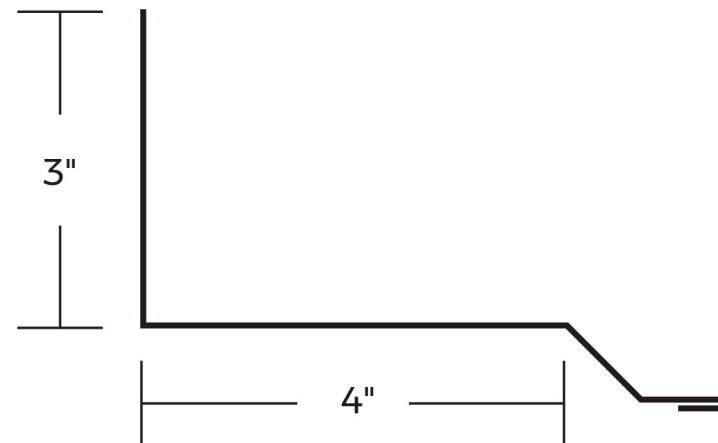
UPPER GAMBREL */LOWER GAMBREL *

SIZE | 10' 2"



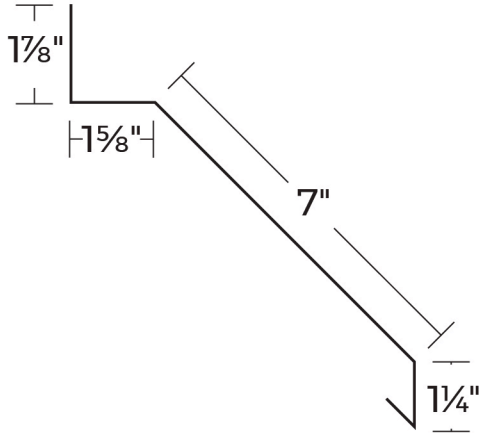
SIDEWALL FLASHING

SIZE | 10' 2"



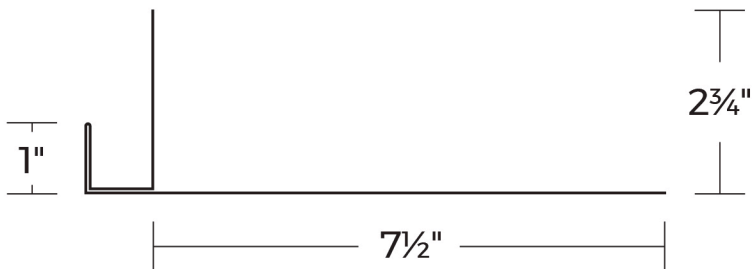
ROUND DOOR TRACK COVER

SIZE | 10' 2"



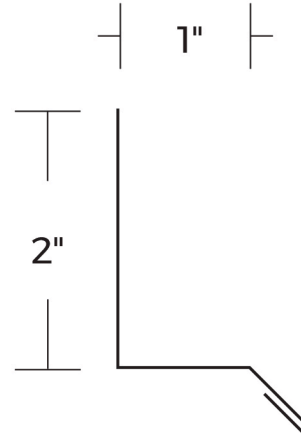
OVERHEAD DOOR COVER

SIZE | AVAILABLE IN SIZES FROM 10' 2" - 20' 6"



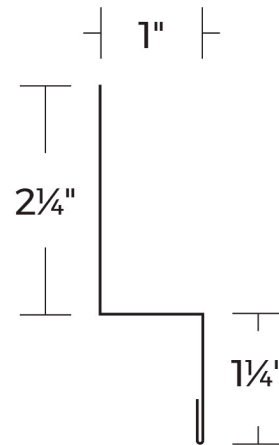
DRIP FLASHING

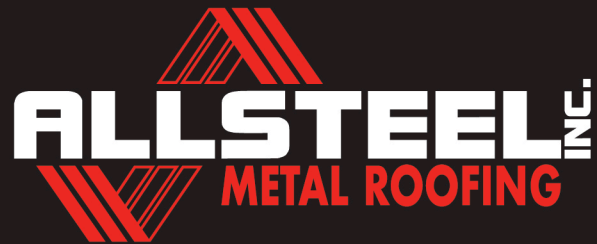
SIZE | 10' 2"



BASE TRIM

SIZE | 10' 2"





GEPP

20115 Highway 62 West | Gepp, AR 72538

FAX | 870.458.2901

PHONE | 870.458.2900

HARRISON

5789 E. Resource Drive | Harrison, AR 72601

FAX | 870.429.6771

PHONE | 870.429.0000

WEST PLAINS

3397 N US Hwy 63 | West Plains, MO 65775

FAX | 417.555.5555

PHONE | 417.204.5900