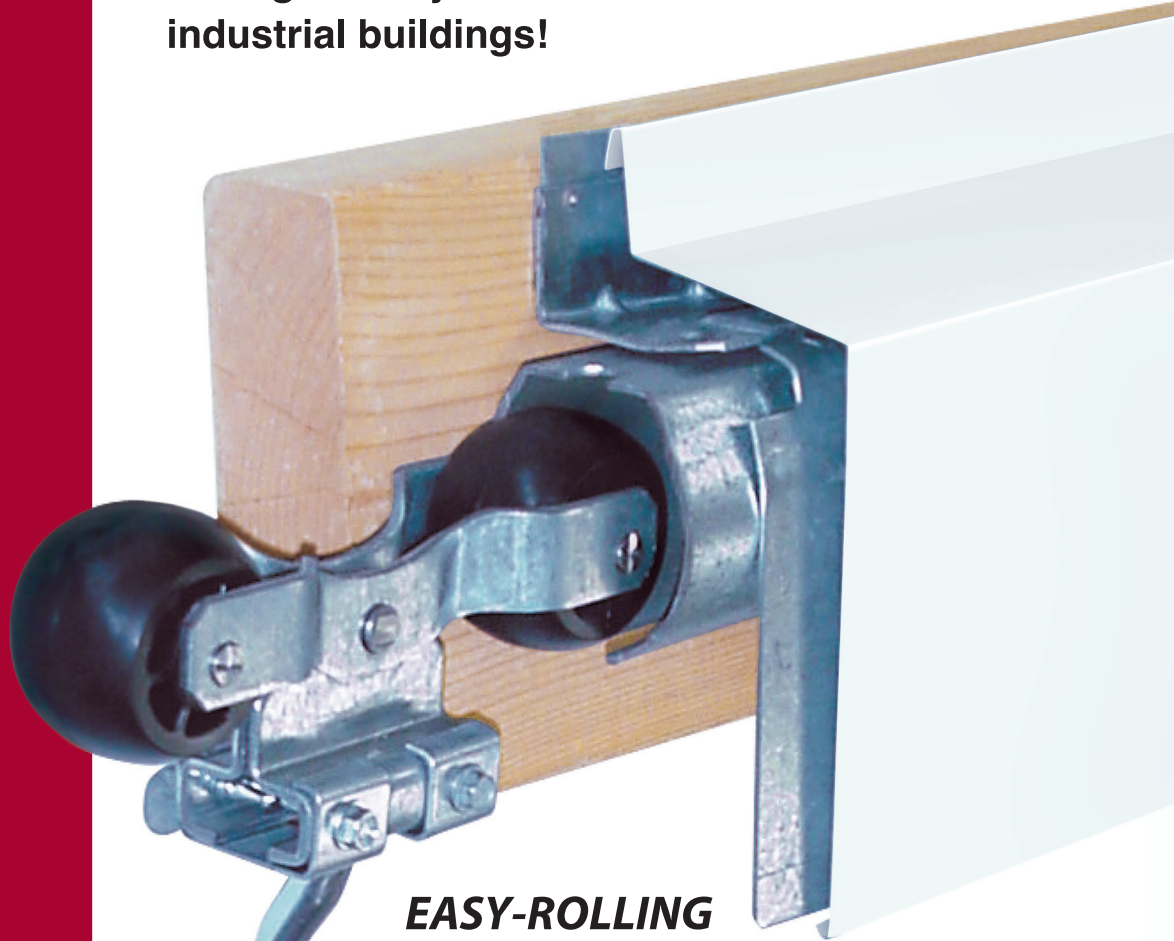


COMBO® ...leading the way to **BETTER**
sliding door systems for farm and
industrial buildings!



EASY-ROLLING

...to please your customers!

EASY MOUNTING

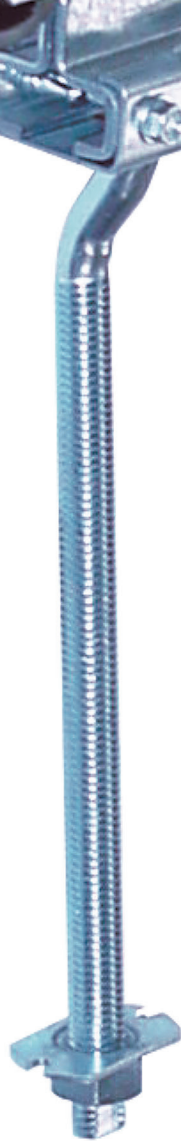
...to please you and your crews!

Get a head start on competition by adding popular COMBO sliding door hardware to your buildings. COMBO gives your customers what they want . . . quiet, easy-rolling doors that last for years with little or no maintenance. And, COMBO gives you what you want, too . . . satisfied customers, plus an advantage over other builders when you're out there bidding for new jobs.

COMBO builders hardware is designed and manufactured by sliding door specialists who know your customers needs . . . and your building requirements. That's why COMBO has so many exclusive, easy-mounting advantages that help your building crews hang sliding doors easier, faster and better. And, that adds up to more profits for you.

Products are shown with options, please contact your representative.

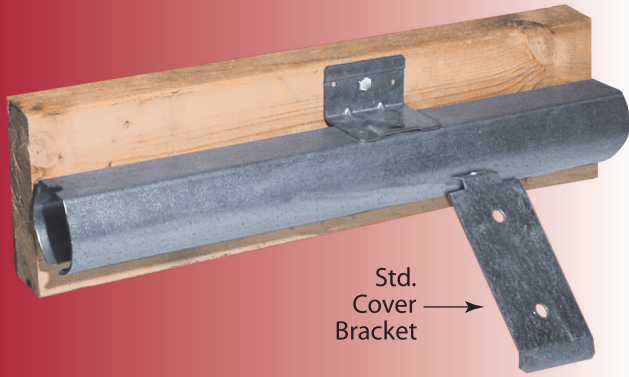
COMBO® Installation and Information Guide



PLYCO
CORPORATION

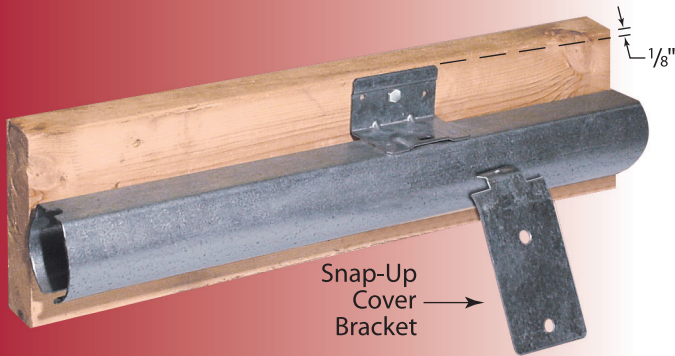
Elkhart Lake, WI 53020

USA 800-558-5895
INTERNATIONAL 920-876-3611
Fax 800-257-5926 Fax 920-876-3527



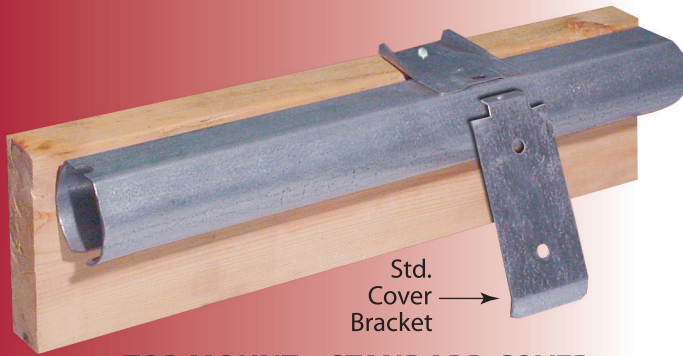
Std. Cover Bracket

SIDE MOUNT – STANDARD COVER



Snap-Up Cover Bracket

SIDE MOUNT – SNAP-UP COVER



Std. Cover Bracket

TOP MOUNT – STANDARD COVER



DOUBLE TRACK SIDE MOUNT

STEP 1: Installing COMBO Track

Side-mount, standard cover. Hold the top of the track brackets flush with the top of the track plank, or in a level position. Nail or lag the track brackets to the plank with two 10D or 16D ring-shank nails, or one 5/16" x 2-1/2" lag bolt.

Side-mount, Snap-Up cover. Same as above, except the top of the track must be kept 1/8" below the top of the track plank.

Top-mount, standard cover. Same as above, except the track brackets are attached to the top surface of the track plank.

Double-track, side-mount. Fasten double-track brackets onto two runs of stud-bolt track at each 2' interval. Hold the assembled double-track run up against the track plank with the top of the track brackets flush with the top of the plank. Fasten the track brackets to the plank with nails or lag-bolts.

STEP 2: Installing Cover Brackets

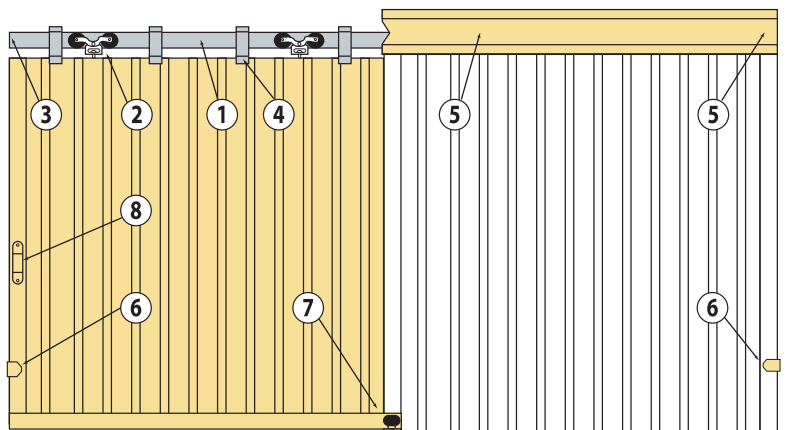
Standard cover brackets are used with side-mount and top-mount track.

Snap-Up cover brackets can only be used with side-mount track. To install, tap each cover bracket into the formed recess in each track mounting bracket until it locks firmly in place. CAUTION: Pounding too hard may distort the cover bracket.

STEP 3: Installing Track Cover

Standard and top-mount cover. Hook the bottom lip of the cover over the bottom of the cover bracket and nail the top of the cover in place above the track plank.

Snap-Up cover. Hook the top lip of the cover behind the offset in the top of the track mounting bracket. Push down on the cover until the lower lip snaps over the cover bracket.



Single-leaf doors. (1) Mount a length of COMBO door track plank which is double the door opening width. Extension brackets may be used for the portion of the track which extends beyond the door opening. (2) Hang and adjust the door leaf with two COMBO trolley hangers. (3) Add end caps to each end of the track. (4) Snap track cover brackets into each track mounting bracket. (5) Install track cover and end cover trim. (6) Mount one adjustable door stop at each end of the track run. (7) Install one adjustable stay roller or adjustable door guide where the door overlaps the building wall. COMBO continuous door guide system may be preferred. (8) Add a steel door pull and latch.

...fast, easy sliding door installation!

STEP 4: Installing Splice Collar

Optional... assures accurate track slot alignment. After two track sections are mounted on the header, hook a splice collar behind the track joint and hit down on it with a hammer so that it snaps into place, locking the flat top and curved surface of the track in place for a perfect slot alignment.

STEP 5: Installing Track End Plug and End Trim

Attach the **end plug** to the end of the track with the 3/8" carriage-bolt provided. Attach the **end trim** to the end of the track by bending the tab 90° and installing with the 3/8" carriage-bolt provided.

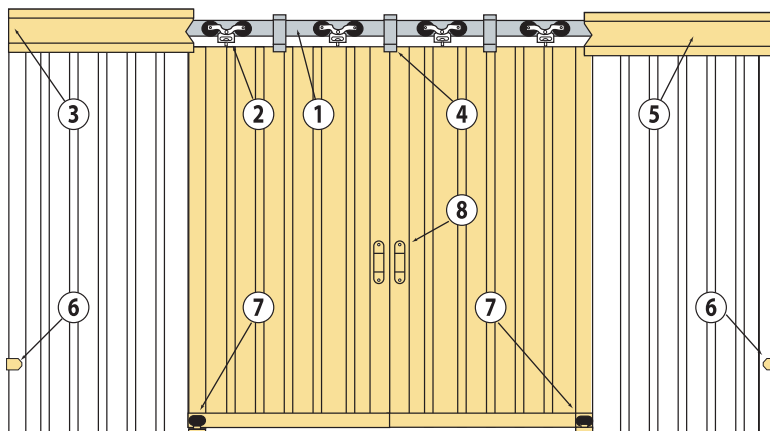
STEP 6: Installing Trolley Hangers

Offset-bolt trolleys require drilling a vertical 9/16" diameter hole through the top rail of the door frame.

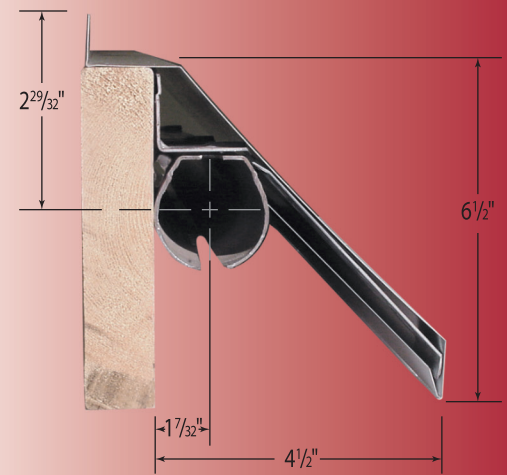
Wood door trolleys require sawing a 3/4" wide by 1-1/2" deep notch in the top of the door panel and drilling three 11/32" diameter holes for bolting the side plates.

STEP 7: Adjusting Offset-Bolt Trolley Hangers

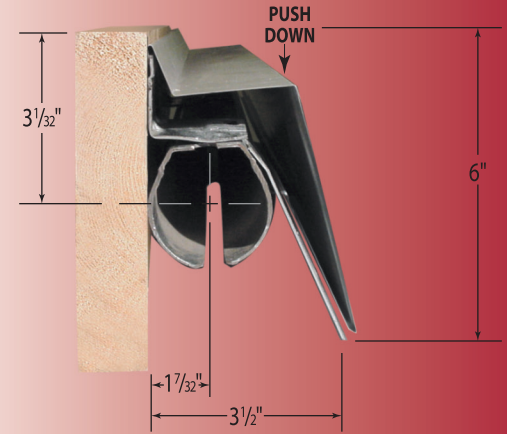
1. Loosen the locknut while holding the washer.
2. **For up-down door adjustment**, turn the flat end of the bolt right or left.
3. **For in-out adjustment**, turn the flat end of the bolt until the door reaches the desired position. Total lateral adjustment is 3/4".
4. **To secure vertical adjustment**, set the lock nut against the washer nut. Hold the washer nut with a wrench.
5. **To secure horizontal adjustment**, set the lock nut against the washer nut while holding the flat end of the bolt in place. Hold the washer nut with a wrench.



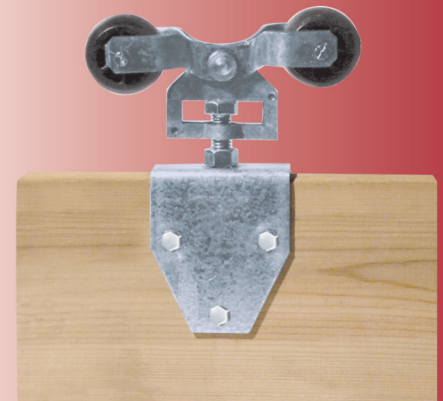
Double-leaf doors. (1) Install a length of COMBO track to the track plank which is double the door opening width. Extension brackets may be used for the portions of track that extend beyond the door opening. (2) Hang and adjust the door leaves using two COMBO trolley hangers per leaf. (3) Add end caps to the track. (4) Snap track cover brackets into each track mounting bracket. (5) Install the track cover and track cover end trim. (6) Mount one door stop at each end of the track run. (7) Install one adjustable stay roller or door guide where each door overlaps the building wall. COMBO continuous door guide system may be preferred. (8) Add one steel door pull, plus desired latches, to end of door leaf.



STANDARD COVER



SNAP-UP COVER



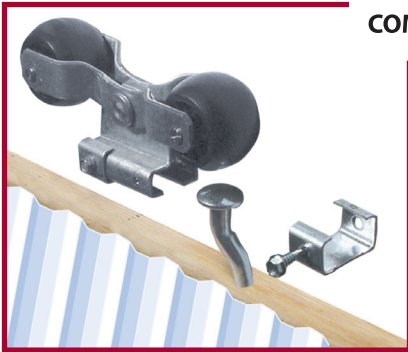
WOOD DOOR TROLLEY



WASHER NUT
LOCK NUT
FLAT END OF BOLT
NAIL (use 2" long annular-thread or screw-type nail)

TROLLEY HANGER ADJUSTMENT

Count the plusses ...compare the advantages!



COMBO "Trundle Trolley" takes the "struggle" out of hanging sliding doors. With the patent-ed, COMBO Trundle Trolley, there's no need to round-up your entire crew to help hang sliding doors ...even on sloping ground, in close

quarters or windy conditions. Trundle Trolleys are simply rolled into the track and hanger bolts installed in the door leaf while still on the ground. The door leaf is, then, leaned against the building beneath the track and the Trundle Trolleys are rolled over to engage the hanger bolts. Final door height is adjusted with the locking nuts on the hanger bolts.



COMBO-hung doors are weather-tight! Choose standard track cover or exclusive COMBO "Snap-Up" cover. Either way, you can be sure that rain or snow can't enter the building. End caps and cover trim keeps birds out of track, too!

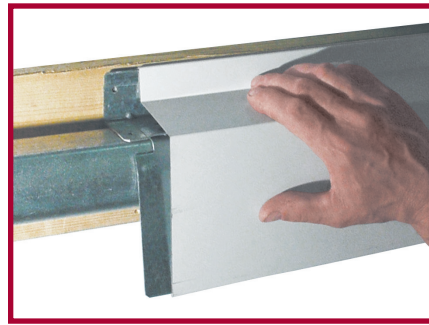


COMBO track goes up easy and fast! No costly, on-the-job assembly. All mounting brackets are projection-welded* to the track at 24-inch intervals. Whether you're using side-mount or top-mount COMBO track, you simply hold it up to the track plank and nail it quickly into place.



"Snap-Up" cover brackets speed installation!

Exclusive COMBO "Snap-Up" cover brackets are conveniently out-of-the-way when you're mounting track and hanging doors. When you're ready to install cover, snap quickly and firmly into place with just the tap of a hammer.



No fasteners needed with COMBO "Snap-Up" cover! It goes up in a hurry ...and it's there to stay. You simply hook the top lip of COMBO's unique "Snap-Up" cover behind the offset recesses at the

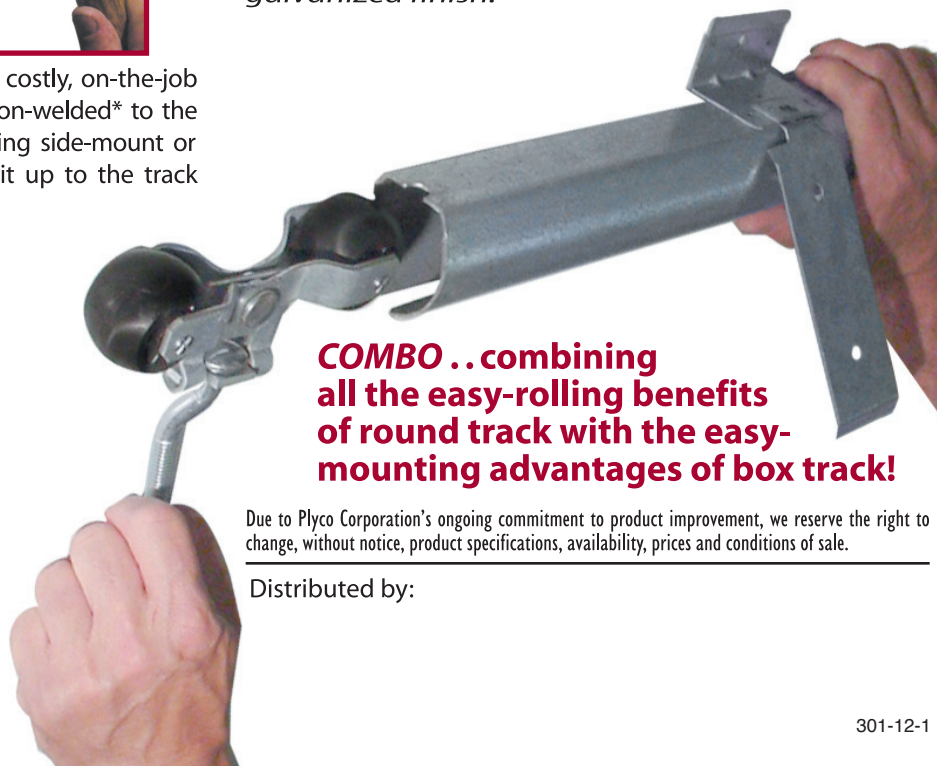
top of the track mounting brackets and push down on the cover until its lower lip snaps over the bottom edge of the cover brackets. For side-mounting applications, only. Standard cover is also available.

COMBO track eliminates splicing! Save splicing time and costs by ordering COMBO track to fit your specific door widths. Comes in standard lengths from 8- to 20-feet in 2-foot increments. Other lengths are available on request ...splice collars, too, if needed.

COMBO assures strong, accurate installations! COMBO track is roll-formed for maximum uniformity from strong, 14-gauge, galvanized, high-carbon steel. Projection-welded* track mounting brackets assure perfect slot alignment throughout. Unique, flat-top track design imparts extra strength ...handles up to 600-pound doors with two trolleys; up to 800-pound doors with four trolleys. Longer track lengths mean fewer joints for stronger installations and smoother-rolling doors.

COMBO simplifies inventory! No need to stock mounting brackets for COMBO track. They're all factory installed. And, you can eliminate splice collars, too, by ordering COMBO track in just the right lengths for your buildings. COMBO trolleys are also interchangeable with other round track trolleys.

** Projection-welding does not destroy the galvanized finish.*



COMBO .. combining all the easy-rolling benefits of round track with the easy-mounting advantages of box track!

Due to Plyco Corporation's ongoing commitment to product improvement, we reserve the right to change, without notice, product specifications, availability, prices and conditions of sale.

Distributed by: